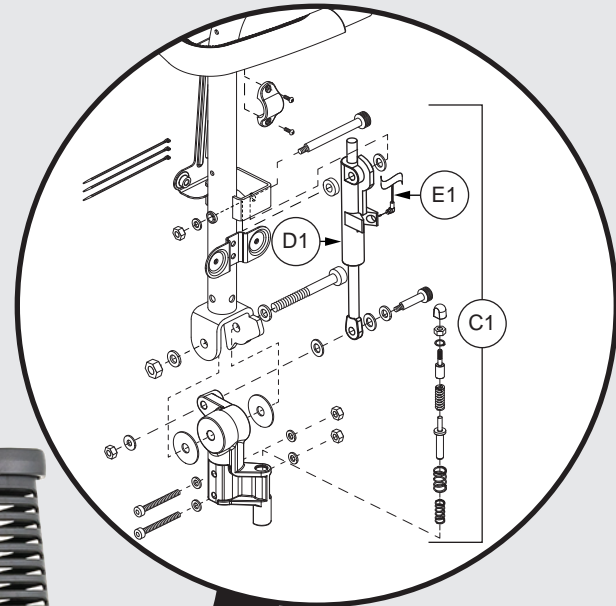




**PRIDE**<sup>®</sup>  
MOBILITY  
LIVE YOUR BEST<sup>®</sup>



# Illustrated Parts Breakdown



This Illustrated Parts Breakdown (IPB) Catalog has been compiled from the latest product information available at the time of publication. Quantum Rehab<sup>®</sup> / Pride Mobility Products<sup>®</sup> Corporation / Baja<sup>®</sup> Mobility reserves the right to make changes and updates to this manual and to the product(s) it represents. Any changes, updates, or improvements to the product(s) may result in slight differences between this manual and the product that has been purchased.

An IPB is a graphically portrayed parts listing of product components which have been deemed to have serviceable, maintenance significance. When applicable, IPBs utilize “exploded” illustrations that detail serviceable components and a corresponding itemized parts list of reference numbers, part numbers, descriptions, and quantities. Most product components are incorporated into assemblies and may not be available for replacement.

Serviceable components will be noted by a callout in the illustration that will correspond to an alphanumeric reference number in the parts list. Items may also be listed in the parts list by parent assemblies. In most cases when a parent assembly is listed, there will be child parts or sub-assemblies listed under that parent.

For example: The parent assembly reference number is A1 — A5. That part contains all of the items listed as and contained within A1, A2, A3, A4, & A5. As long as these subcomponents have a callout and a part number associated with them, they can be selected for replacement or quote.

Updates to the contents of an IPB will be made on a regular basis based upon applicable product changes and enhancements. This PDF catalog can be exported from the Provider based service site. The most up to date parts look up tool and ordering application is located at: [www.pridemobility365.com](http://www.pridemobility365.com). Please utilize this system to enhance your user experience. It is built with highly interactive materials that are set with relational properties that will facilitate easier part look-up, more accurate parts selection, and links to related documents and products.

Thank you for choosing products from Quantum Rehab<sup>®</sup> and Pride Mobility Products<sup>®</sup> Corporation.



<b>1. Battery Box Assy</b>	
Battery Box Assy	1
<b>2. Charger Assy</b>	
Off-Board Charger, BA140, Lithium, EU	3
<b>3. Console Assy</b>	
Console Assy	5
<b>4. Controller Assy</b>	
Controller Assy.	7
<b>5. Decal Package</b>	
Decal Package, BA140, AU	9
<b>6. Drive Motor Assy</b>	
Motor Assy	11
<b>7. Frame Assy</b>	
<b>7.1. Tiller Assy</b>	
Tiller Assy	13
<b>7.2. Hand Brake Assy</b>	
Hand Brake Assy	15
<b>7.3. Front Frame Assy</b>	
Front Frame Assy	17
<b>7.4. Rear Frame Assy</b>	
Rear Frame Assy	19
<b>8. Owner's Package</b>	
Owner's Package, BA140, EU	21
<b>9. Seat Assembly</b>	
Seat Assy, 18"W x 17"D Black Vinyl, Molded Plastic, BAJA Bandit	23
Seat Assy, Molded Plastic, 20"x18" w/Pride Logo, BAJA Bandit	25
Seat Assy, Deluxe Stadium, Foldable w/Sliders 20"W	27
<b>10. Shroud Assy</b>	
<b>10.1. Tiller Shroud Assy</b>	
Console Shroud Insert	29
<b>10.2. Front Shroud Assy</b>	
Front Shroud Assy	31
<b>10.3. Rear Shroud Assy</b>	
Rear Shroud and Light Assy	33
<b>11. Wheel Assy</b>	
<b>11.1. Front Wheel Assy</b>	
Front Wheel Assy. Solid	35
<b>11.2. Rear Wheel Assy</b>	
Rear Wheel Assy. Solid	37

## 12. Accessories

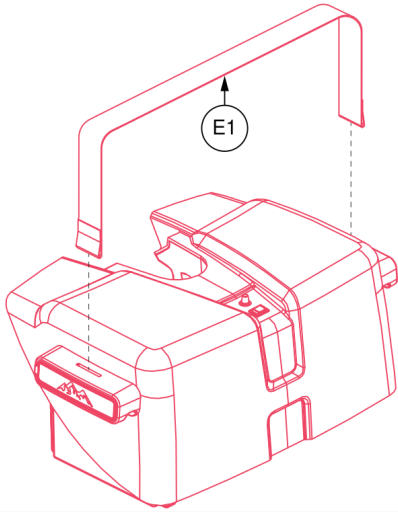
Pneumatic Wheel .....	39
-----------------------	----

## APPENDIX A. Electrical System Diagrams

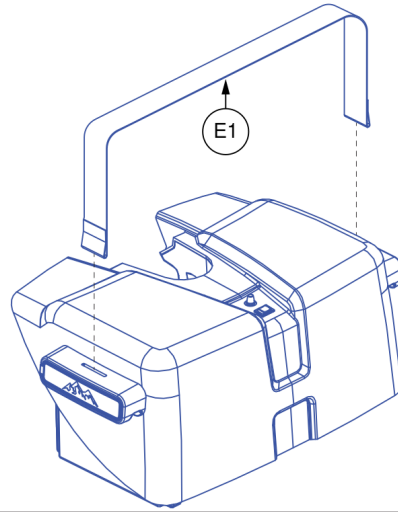
Console, BAJA Bandit, BA140, Electrical System Diagram .....	41
Controller, S-Drive 200AMP, Electrical System Diagram .....	42
Anhang A:Seitenverzeichnis .....	44
Anhang B:Teileverzeichnis .....	45

# Battery Box Assy

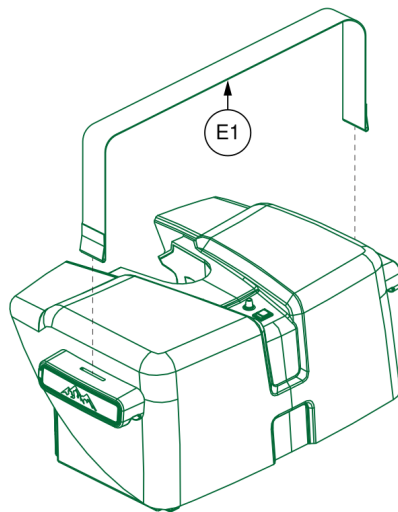
(A1) Complete, 40AH Lithium Battery Box Assy with 2 Batteries (includes E1,F1,G1, H1 and I1.)



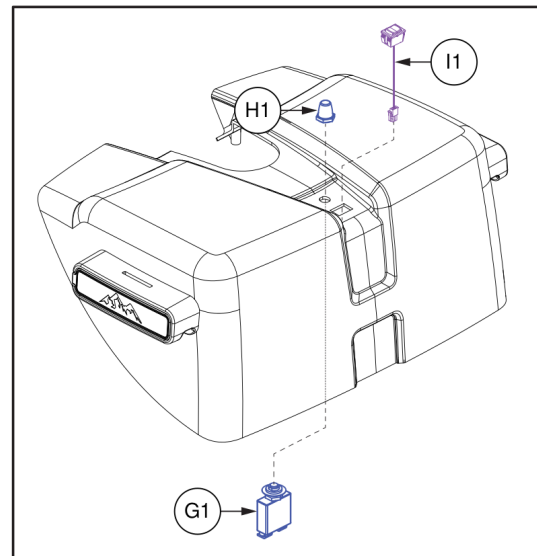
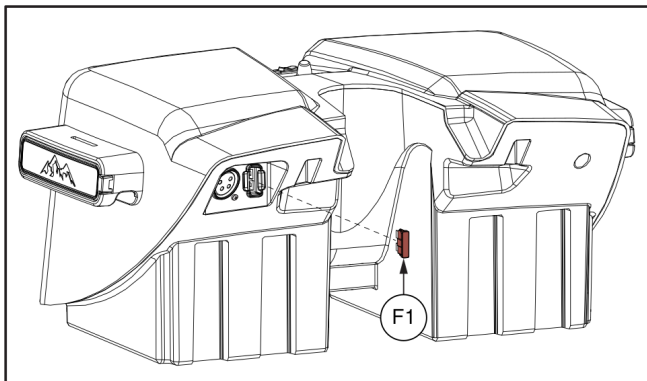
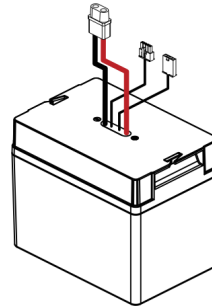
(B1) Complete, 20AH Lithium Battery Box Assy with 1 Battery (includes E1,F1,G1, H1 and I1.)



(D1) Battery Box Assy without Batteries (includes E1,F1,G1, H1 and I1.)

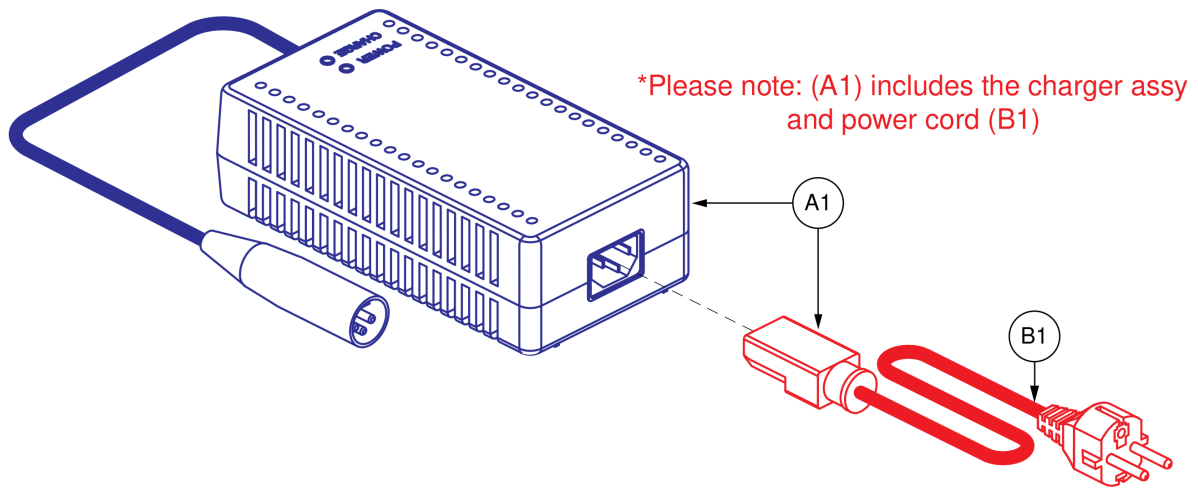


(C1) 36 Volt, 20AH Smart Parallel Battery



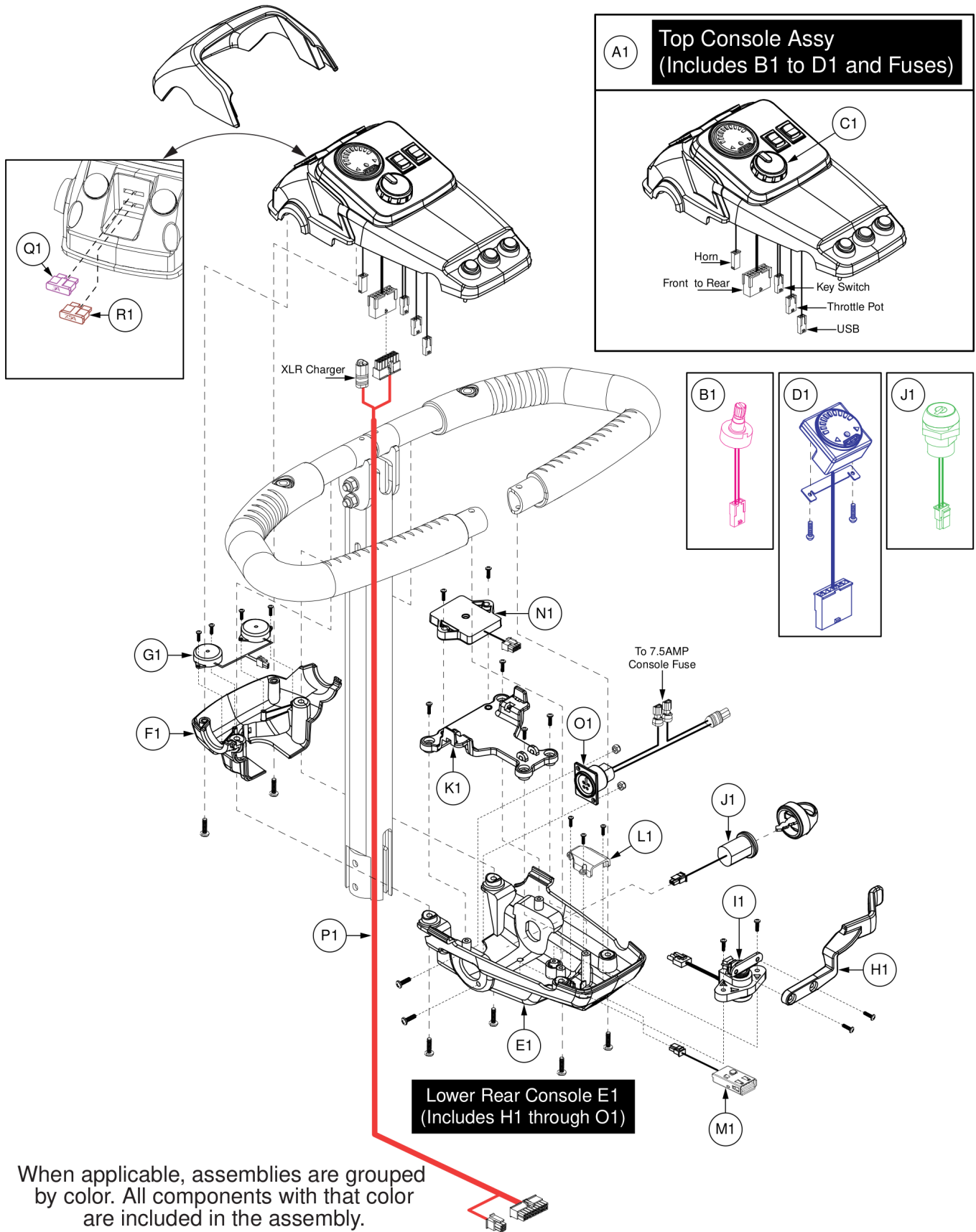
## Battery Box Assy

Objekt	Teilenr.	Name	Anzahl
A1	BAT2204150	BATTERY BOX,ASSEMBLY,40AH,LITHIUM	1
B1	BAT2204152	BATTERY BOX,ASSEMBLY,20AH,LITHIUM	1
C1	BAT2204149	BATTERY, 36 VOLT, 20AH, SMART PARALLEL	1
D1	BAT2204148	BATTERY BOX, ASSEMBLY, NO BATTERIES	1
E1	MEC2205730	STRAP, BATTERY BOX	1
F1	ELE2206326	7.5 AMP 80 VOLT ATO FUSE	1
G1	ELE2206520	50 AMP THERMAL RESETTABLE BREAKER, PRESS TO RESET	1
H1	MEC2206612	CIRCUIT BREAKER PROTECTIVE CAP, CLEAR, M11XP1.0	1
I1	ELE2206526	SWITCH HARNESS	1



**Off-Board Charger, BA140, Lithium, EU**

Objekt	Teilenr.	Name	Anzahl
A1	ELE2205613	CHARGER ASSY, OFFBOARD,42V 4A, LITHIUM, 4PIN, W/EUROPE POWER CORD	1
B1	ELE2205708	ELECTRONIC,HARNESS,POWER CORD, EUR (MDA #214010059)	1

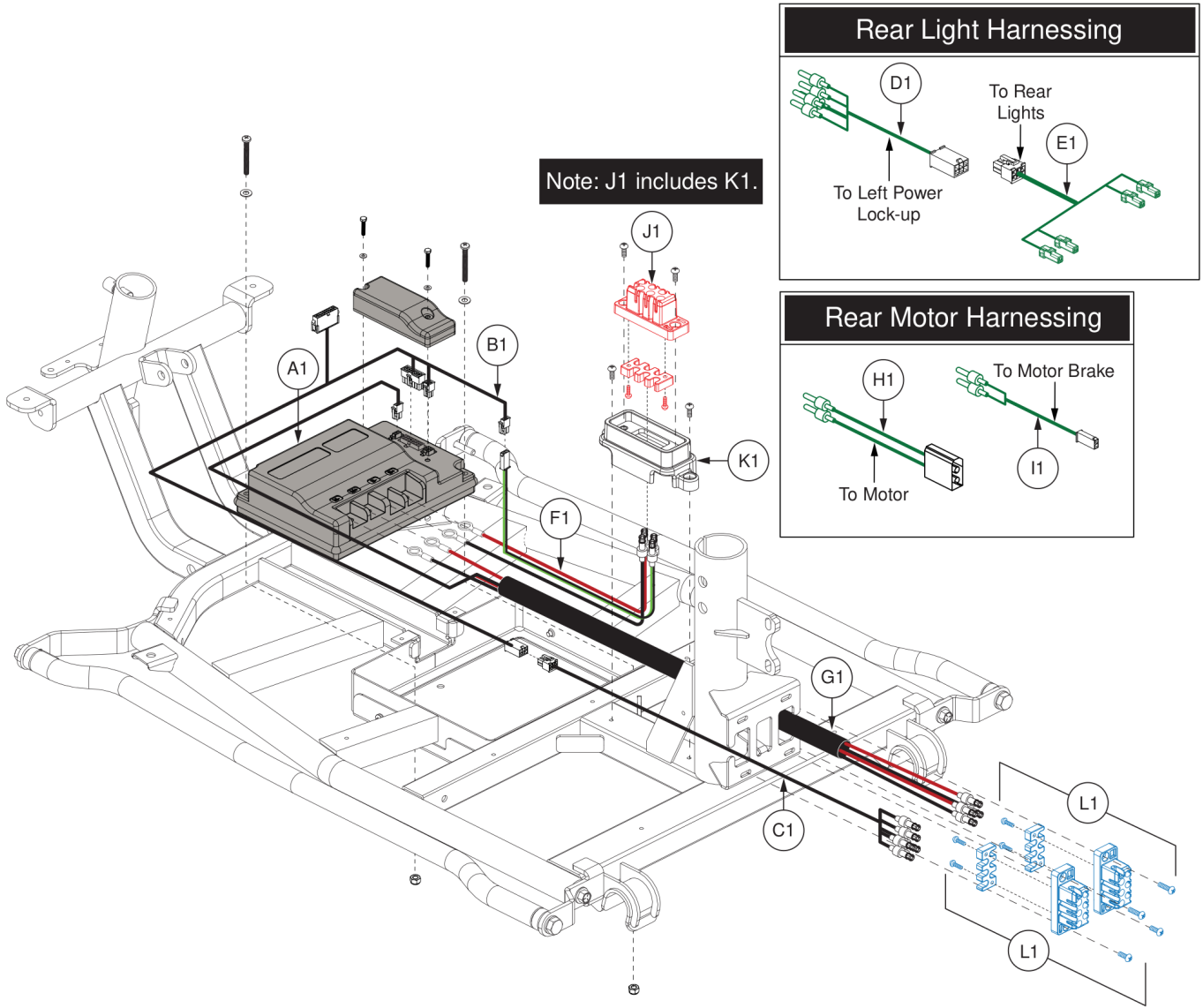


When applicable, assemblies are grouped by color. All components with that color are included in the assembly.

## Console Assy

Objekt	Teilenr.	Name	Anzahl
A1	DGN2203949	CONSOLE, ASSY, UPPER, BA140	1
B1	DWR1020H161	ELECTRONIC,SPEED POT W/HARNESS,CTS,100K,H-1020-161	1
C1	DGN134725	SPEED KNOB ASSEMBLY	1
D1	DGN142447	LED VOLTMETER	1
E1	DGN2207043	CONSOLE ASSY, LOWER, REAR	1
F1	DGN2207042	CONSOLE ASSY, LOWER FRONT	1
G1	ELE2202025	DUAL HORN WITH HARNESS	1
H1	DGN2202749	WIG WAG, SINGLE SIDED	1
I1	ELE1706049	THROTTLE POT,ASSY,REVO	1
J1	ELE1703334	KEY SWITCH ASSEMBLY	1
K1	DGN2202748	THROTTLE GUARD	1
L1	DGN2203167	USB CLAMP	1
M1	ELE2005451	USB 1 AMP HARNESS	1
N1	ELE2204648	36V BLINKER BOARD ASSEMBLY WITH PLASTICS	1
O1	ELE2202816	XLR CHARGING HARNESS	1
P1	ELE2201186	TILLER HARNESS	1
Q1	ELE2206324	3 AMP 80 VOLT ATO FUSE	1
R1	ELE2206326	7.5 AMP 80 VOLT ATO FUSE	1

When applicable, assemblies are grouped by color. All components with that color are included in the assembly.



## Controller Assy.

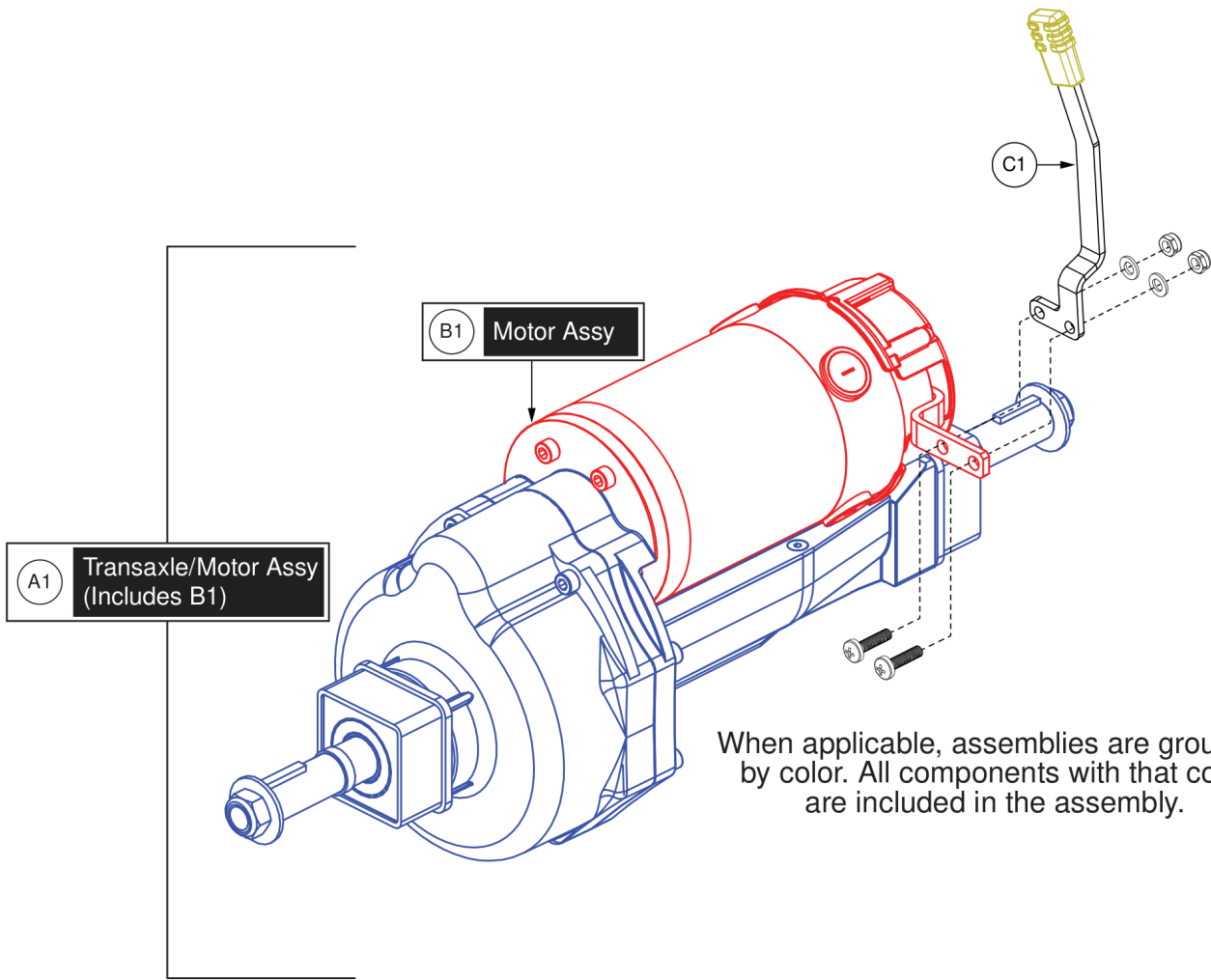
Objekt	Teilenr.	Name	Anzahl
A1	CTL2203907	CONTROLLER,ASSY,200 AMP,5.2 MPH PROGRAM,BA140	1
B1	ELE2205562	CONTROLLER INTERFACE HARNESS WITH LIGHTS	1
C1	ELE2205563	CONTROLLER TO REAR LOCKUP WITH BRAKE LIGHT	1
D1	ELE2205629	REAR LIGHTS TO LOCKUP HARNESS WITH BRAKE LIGHT	1
E1	ELE2001160	REAR LIGHT HARNESS	1
F1	ELE2203209	POWER AND SIGNAL HARNESS	1
G1	ELE2203973	MOTOR/BRAKE HARNESS	1
H1	ELE2203337	MOTOR HARNESS, LOCKUP SIDE	1
I1	ELE1903688	BRAKE TO LOCKUP HARNESS	1
J1	ELE2206029	ELECTRONIC ASSEMBLY, BATTERY CONNECTOR, DECK SIDE, 6 PIN	1
K1	DGN1701463	BATTERY CONNECTOR, WITH INSERT	1
L1	ELE2206030	ASSEMBLY, LOCK UP CONNECTOR, DECK SIDE,6 PIN	2



# Decal Package

## Decal Package, BA140, AU

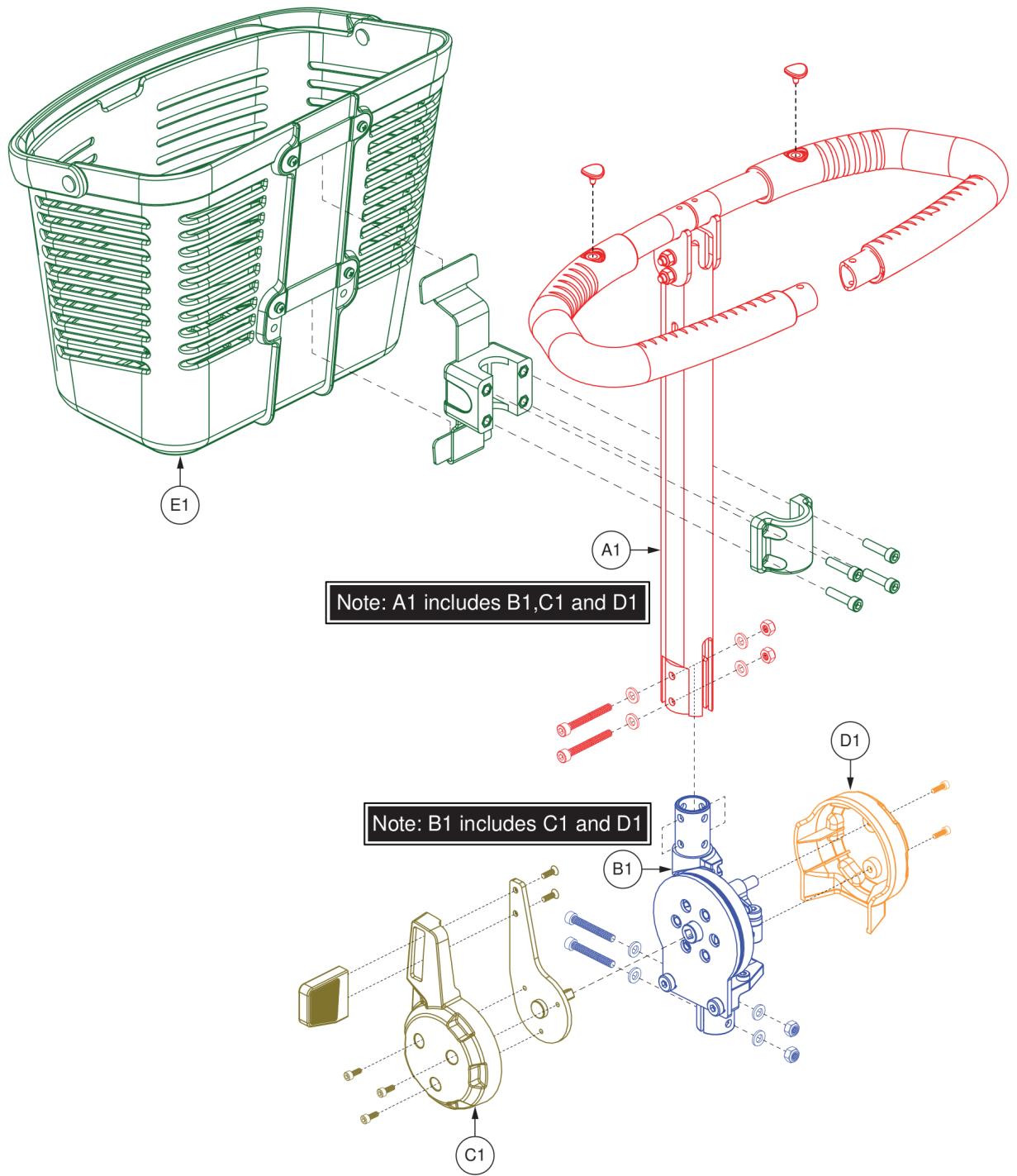
Objekt	Teilenr.	Name	Anzahl
*N/A	LAB2206170	DECAL,AESTHETIC,BAJA BANDIT (BA140)	2
*N/A	DWR1235L798	DECAL,ICON,FREEWHEEL OPERATION,L-1235-798	1
*N/A	DWR1234L108	DECAL,ICON,CHARGE BATTERY BEFORE START,L-1234-108	1
*N/A	DWR1234L811	DECAL,ICON,DO NOT ADJUST ANTI-TIP,1.25" X 0.75",JAZZYSELECT,L-1234-811	2
*N/A	LAB1713260	DECAL,TIE DOWN HOOK,UNOCCUPIED	4
*N/A	LAB120015	DECAL,NOT RATED FOR OCCUPIED TRANSPORT,SCOOTER	1
*N/A	LAB1805101	DECAL,FRAME ALIGNMENT GUIDE	4



When applicable, assemblies are grouped by color. All components with that color are included in the assembly.

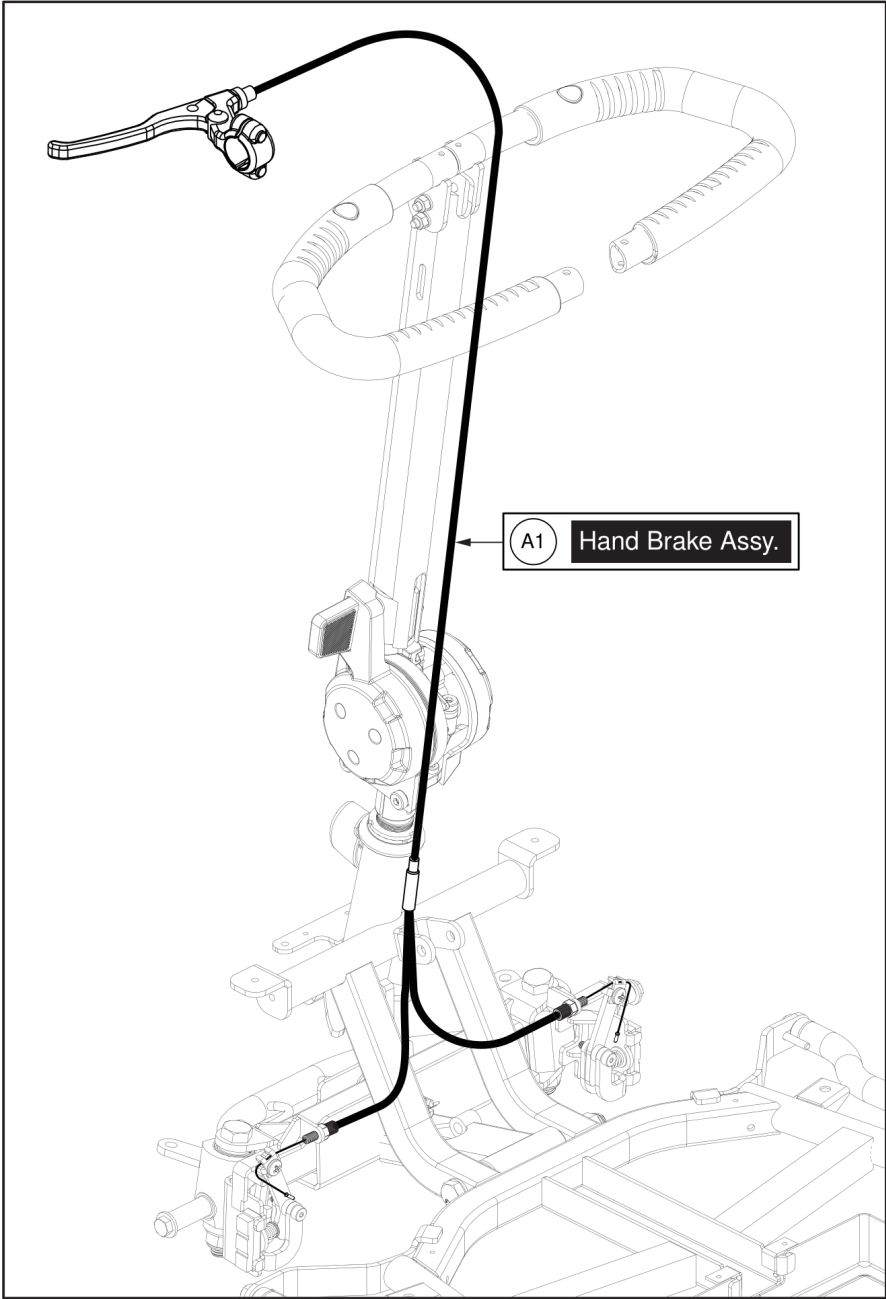
## Motor Assy

Objekt	Teilenr.	Name	Anzahl
A1	MOT2204053	MOTOR, ASSEMBLY, MOTOR/BRAKE/TRANSAXLE, 36V, YONGXU BRAKE, HI-FORTUNE	1
B1	MOT2204052	MOTOR, ASSEMBLY, HI-FORTUNE, 36V YONGXU BRAKE	1
C1	MEC2202224	FREEWHEEL LEVER ASSEMBLY	1



## Tiller Assy

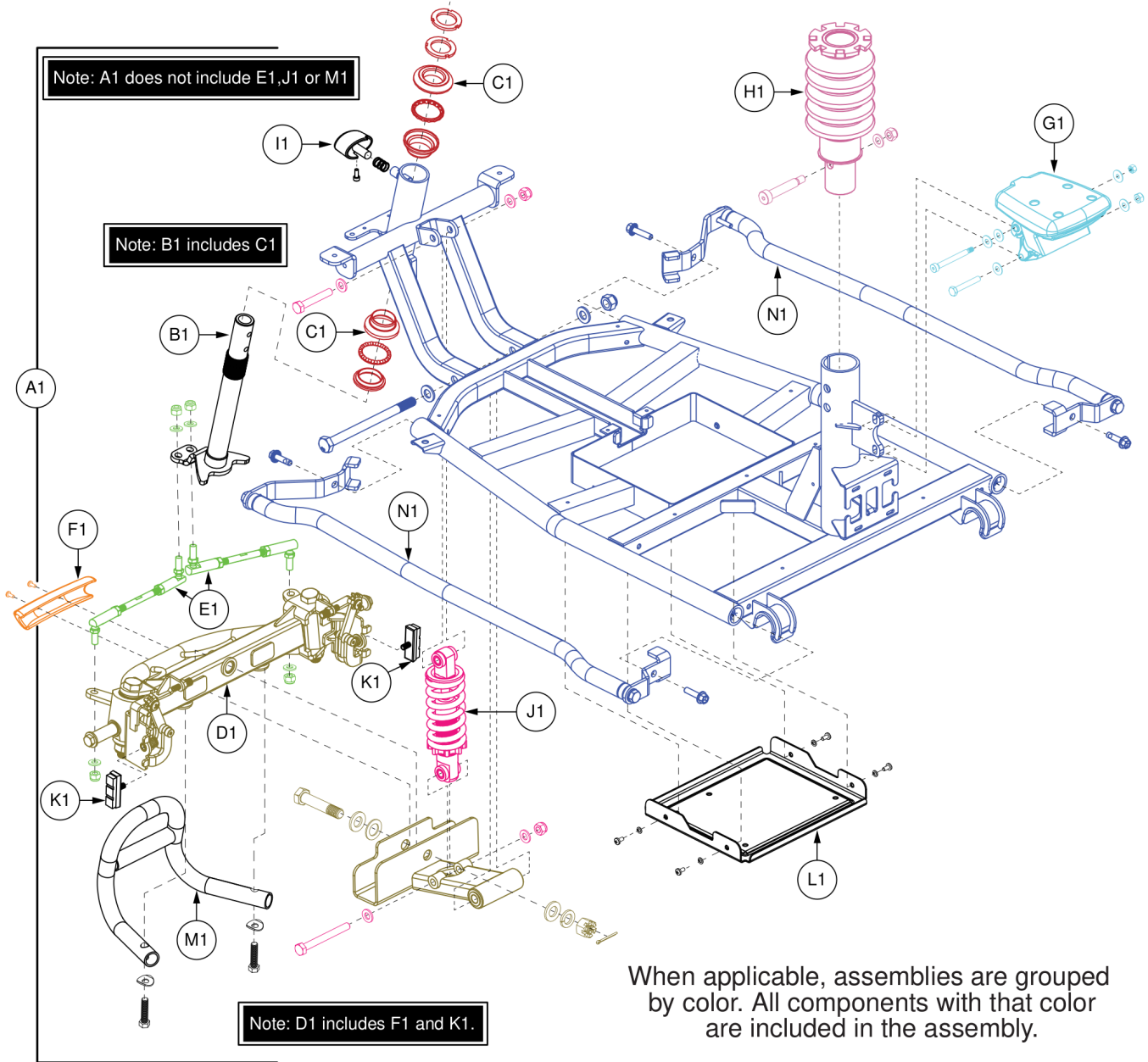
Objekt	Teilenr.	Name	Anzahl
A1	MEC2203863	TILLER, ASSY, COMPLETE, BAJA REVO	1
B1	MEC2202806	MECH LOCK ASSEMBLY	1
C1	DGN2203297	MECH LOCK RELEASE LEVER ASSEMBLY	1
D1	DGN2203301	MECHLOCK SHROUD, RIGHT	1
E1	ACC1706036	BASKET,ASSY,BLACK,PLASTIC,FRONT,REVO	1



**Hand Brake Assy**

Objekt	Teilenr.	Name	Anzahl
A1	MEC2206976	BRAKE HANDLE AND CABLE ASSEMBLY	1

# Front Frame Assy

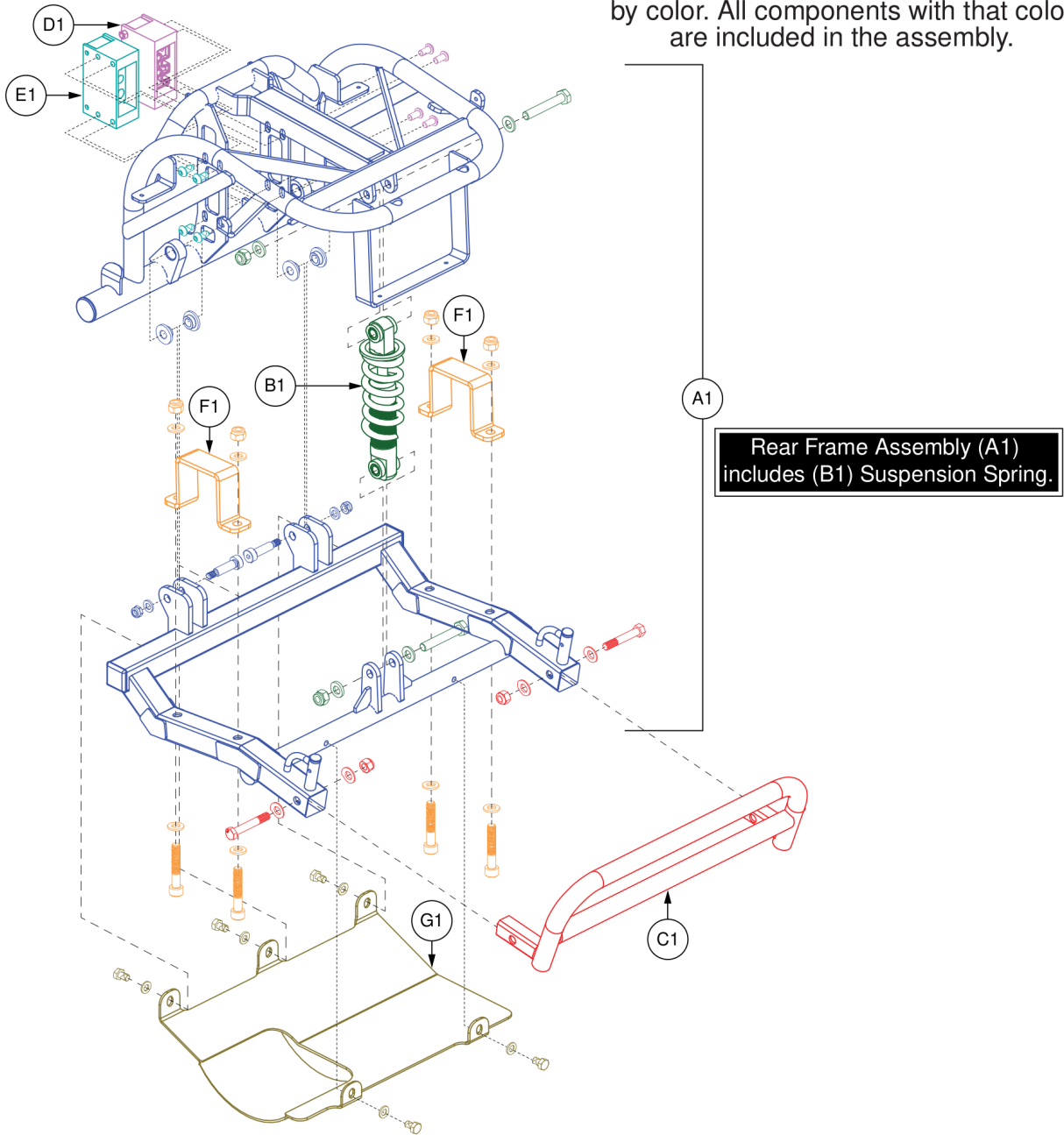


## Front Frame Assy

Objekt	Teilenr.	Name	Anzahl
A1	MEC2202758	FRONT FRAME ASSEMBLY, 4-WHEEL, BAJA REVO	1
B1	MEC2202724	STEERING STEM ASSEMBLY	1
C1	HDWASMB1000	KIT,BEARING/RACE	1
D1	MEC2202744	SWING ARM AND AXLE ASSEMBLY	1
E1	MEC2202804	TIE ROD ASSEMBLY	2
F1	FRMASMB9240	BUMPER,ASSY,FRONT,BLACK,SC44E	1
G1	FRMASMB11066	HANDLE,ASSY,LOCK-UP RELEASE,VICTORY 9-10,D-9966-028	1
H1	MEC2205185	SUSPENSION SEAT POST ASSEMBLY	1
I1	MEC2107612	TILLER LOCK KNOB ASSEMBLY	1
J1	MEC2202800	STRUT ASSEMBLY, FRONT SUSPENSION	1
K1	MEC2203422	BRAKE PAD	1
L1	MEC2204161	CONTROLLER TRAY ASSEMBLY	1
M1	MEC2204144	FRONT BUMPER ASSEMBLY	1
N1	MEC2203314	SIDE BUMPER ASSEMBLY	1

# Rear Frame Assy

When applicable, assemblies are grouped by color. All components with that color are included in the assembly.



## Rear Frame Assy

Objekt	Teilenr.	Name	Anzahl
A1	MEC2202787	REAR FRAME ASSEMBLY	1
B1	MEC1703610	REAR SUSPENSION, ASSEMBLY	1
C1	MEC2204153	REAR BUMPER ASSEMBLY	1
D1	ELE2205947	ELECTRONIC, ASSY, POWER CONNECTOR, HOUSING, FEMALE, RIGHT	1
E1	ELE2302623	ELECTRONIC, ASSY, POWER CONNECTOR, HOUSING, FEMALE, LEFT	1
F1	MEC2203516	TRANSAXLE MOUNTING ASSEMBLY	1
G1	MEC2204165	SKID PLATE ASSEMBLY	1



# Owner's Package

## Owner's Package, BA140, EU

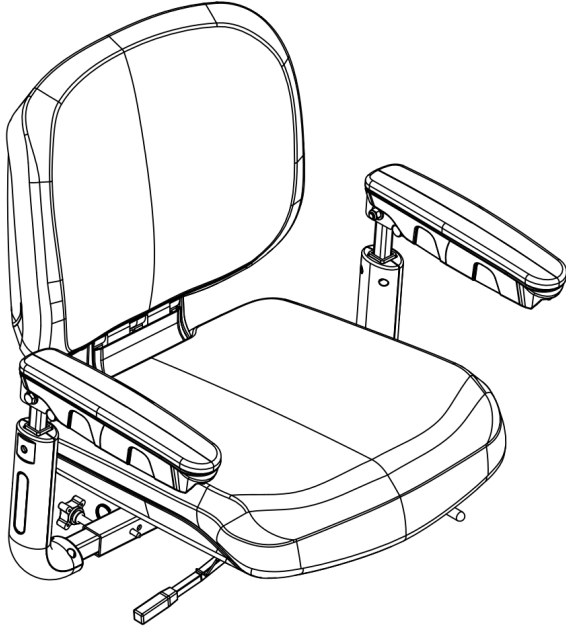
Objekt	Teilenr.	Name	Anzahl
*N/A	INFINFB3082	PRODUCT INSERT SHEET,INTRODUCTION SHEET,PRIDE,US,UK,AU,FC	1
*N/A	INFINFB4556	MANUAL,SPECIFICATIONS,BANDIT,UNIVERSAL	1
*N/A	INFMANU3989	MANUAL,CONSUMER SAFETY GUIDE,NON-MEDICAL,SCOOTER	1
*N/A	KEYSCO1007	KEY,COATED, A126	1
*N/A	DWR1020C034	KEY,DELUXE,W/MOLDED PLASTIC KNOB,EASY PULL	1
*N/A	PINCOTD1006	PIN,COTTERLESS DETENT W/RING,.375" DIA X 2.00" GRIP LENGTH,B-1005-169	1

**Seat Assy, 18"W x 17"D Black Vinyl, Molded Plastic, BAJA Bandit**

A1 - J1

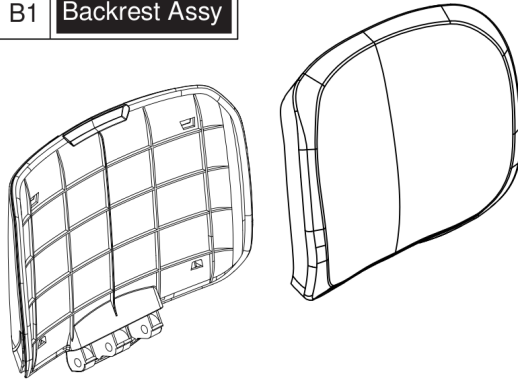
**Complete 18"W x 17"D  
Seat Assembly**

The Complete Assembly includes the  
Molded Seat, Seat Covers, Seat Frame,  
Armrests, and all required hardware.



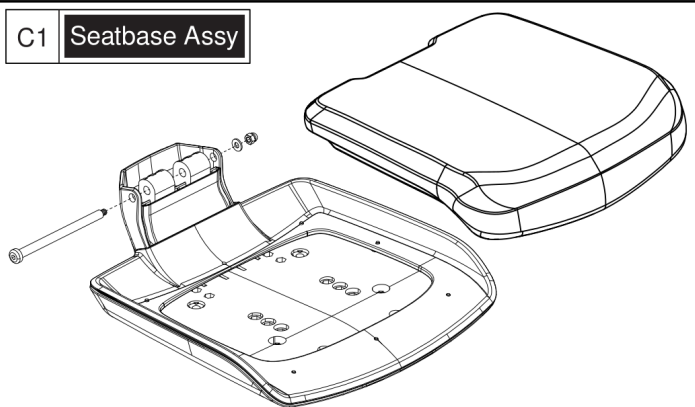
B1

**Backrest Assy**



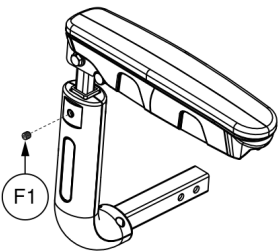
C1

**Seatbase Assy**



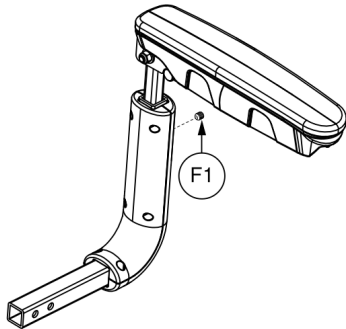
D1

**Right Arm Assy**



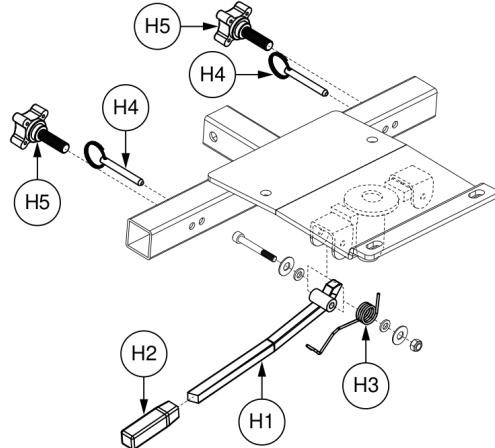
E1

**Left Arm Assy**



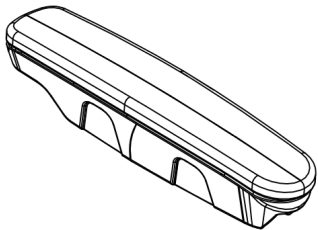
H1 - H5

**Seat Plate Assy**



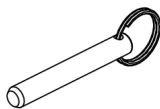
G1

**Armpad**



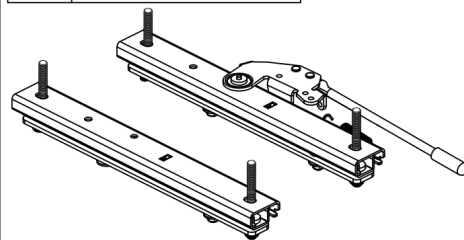
J1

**Accessory Pin**



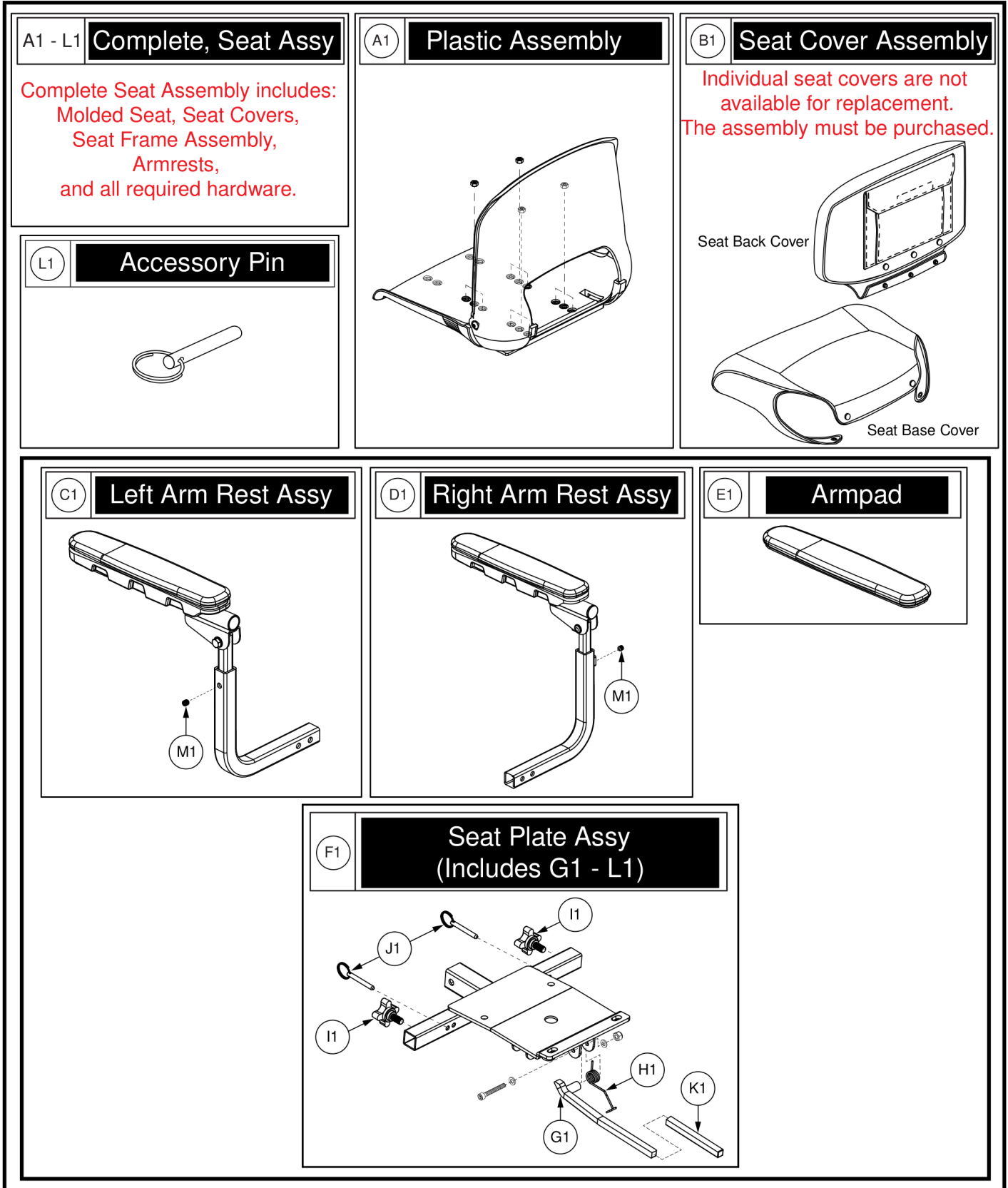
I1

**Limited Slide Assy**



## Seat Assy, 18"W x 17"D Black Vinyl, Molded Plastic, BAJA Bandit

Objekt	Teilenr.	Name	Anzahl
A1 - J1	SET2002307	Seat, Assy, Molded Plastic, Black Vinyl, 18"W X 17"D, W/Seat Frame, Limited Sliders, And Height Adjustable Arms, Pride Logo	1
B1	SET2003048	BACKREST ASSEMBLY	1
C1	SET2003049	SEAT BASE ASSEMBLY	1
D1	MEC2002758	RIGHT ARMREST ASSEMBLY	1
E1	MEC2002771	LEFT ARMREST ASSEMBLY	1
F1	SCRSETS1104	SCREW,SET,M8-1.25 X 8MM,CUP POINT W/NYLON PATCH	1
G1	DGN2002738	FULL ARMPAD ASSEMBLY	1
H1 - H5	MEC1800114	SEAT FRAME,ASSY,PLATFORM,MOLDED PLASTIC SEAT, SLIDERS	1
H1	DWR9998C016	LEVER,SEAT RELEASE,ZINC PLATED,REVO,C-9998-016	1
H2	PROHDL1007	HANDLE,COVER,SEAT LOCK, SC150	1
H3	SPGRAW1010	SPRING, RAW,LEVER LOCKING SC150	1
H4	PINCOTD1000	PIN, COTTERLESS DETENT W/ RING, .25 DIA X 1.5 GRIP LG (DWG B1005-168)	2
H5	DWR1000B152	HANDLE,LOCK KNOB,B-1000-152	2
I1	FRMASMB11451	SEAT,ASSY,LIMITED SLIDE MECHANISM,W/LEFT SIDE HANDLE,SC610/SC710	1
J1	PINCOTD1006	PIN,COTTERLESS DETENT W/RING,.375" DIA X 2.00" GRIP LENGTH,B-1005-169	1



## Seat Assy, Molded Plastic, 20"x18" w/Pride Logo, BAJA Bandit

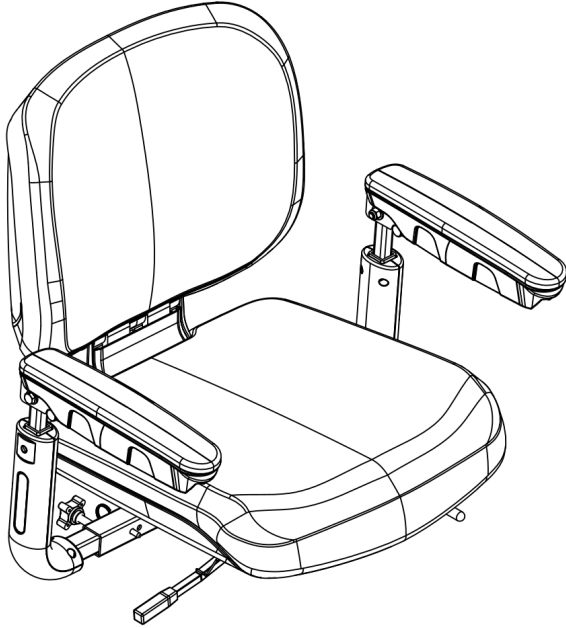
Objekt	Teilenr.	Name	Anzahl
A1 - L1	SET1909617	SEAT,ASSY,MOLDED PLASTIC,BLACK,VINYL,20"W,18"D,16"H,W/SEAT FRAME,EMBROIDERED PRIDE LOGO	1
A1	SET1707677	PLASTIC,ASSY,20"W,18"D,16"H,MOLDED PLASTIC,SEAT BACK/SEAT BASE	1
B1	CUS1707693	SEAT,BACK/BASE,BLACK,VINYL,20"W,18"D,16"H,W/EMBROIDERED PRIDE LOGO	1
C1	ARM145483	ARMREST ASSEMBLY,CRS, LEFT	1
D1	ARM145484	ARMREST ASSEMBLY,CRS,RIGHT	1
E1	ARM145482	ARMPAD ASSEMBLY,CRS SEAT	1
F1	MEC152057	GO-CHAIR FLAT SEAT PLATE ASSEMBLY	1
G1	MEC155692	SEAT RELEASE LEVER WELDMENT	1
H1	SPGRAW1010	SPRING, RAW,LEVER LOCKING SC150	1
I1	DWR1000B152	HANDLE,LOCK KNOB,B-1000-152	2
J1	PINCOTD1000	PIN, COTTERLESS DETENT W/ RING, .25 DIA X 1.5 GRIP LG (DWG B1005-168)	2
K1	PROHDL1007	HANDLE,COVER,SEAT LOCK, SC150	1
L1	HDW147128	QUICK RELEASE PIN,9.5MM OD	1
M1	SCRSETS1104	SCREW,SET,M8-1.25 X 8MM,CUP POINT W/NYLON PATCH	1

# Seat Assy, Deluxe Stadium, Foldable w/Sliders 20"W

A1 - J1

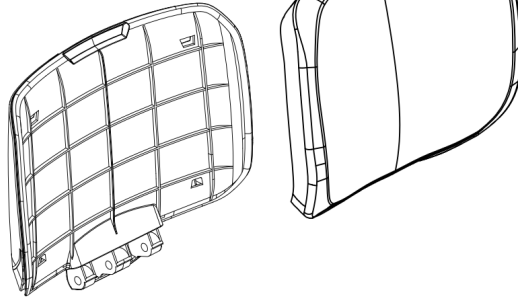
Complete 20"W  
Seat Assembly

The Complete Assembly includes the  
Molded Seat, Seat Covers, Seat Frame,  
Armrests, and all required hardware.



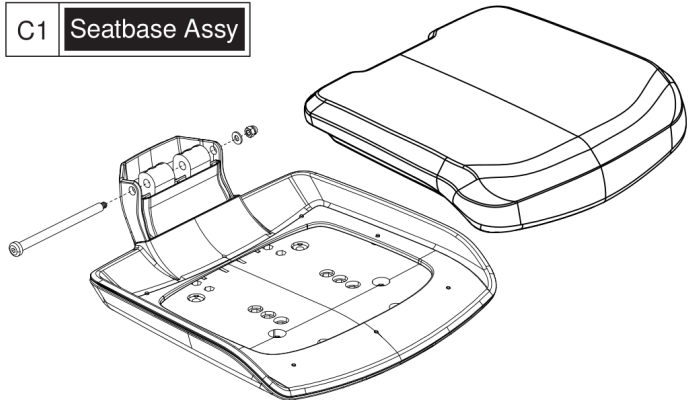
B1

Backrest Assy



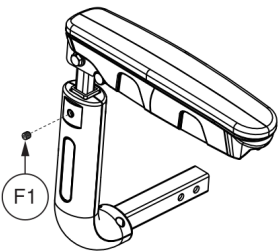
C1

Seatbase Assy



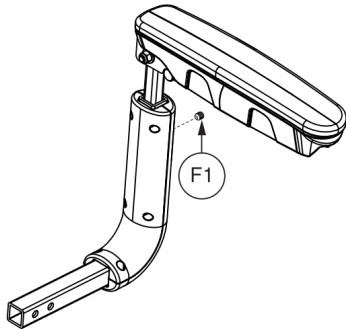
D1

Right Arm Assy



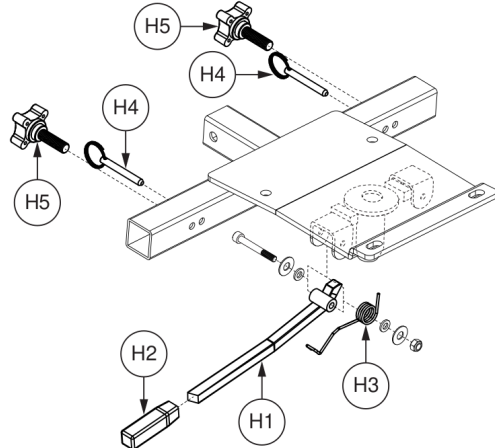
E1

Left Arm Assy



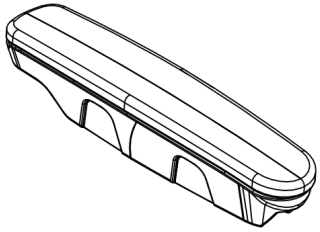
H1 - H5

Seat Plate Assy



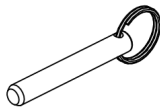
G1

Armpad



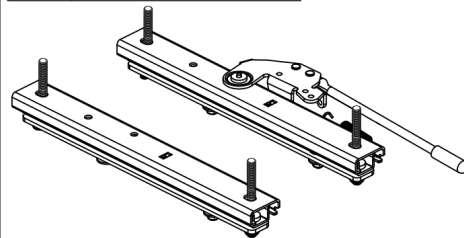
J1

Accessory Pin



I1

Limited Slide Assy



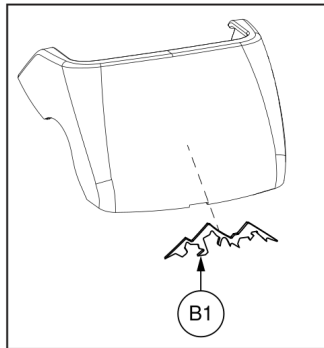
## Seat Assy, Deluxe Stadium, Foldable w/Sliders 20"W

Objekt	Teilenr.	Name	Anzahl
A1 - J1	SET2300048	SEAT, ASSEMBLY, DELUXE STADIUM, FOLDABLE, W/ SLIDERS, 20"W	1
B1	MEC2300046	BACKREST, ASSEMBLY, 20"W, DELUXE STADIUM	1
C1	MEC2300047	SEAT BASE, ASSEMBLY, 20"W, DELUXE STADIUM	1
D1	MEC2002758	RIGHT ARMREST ASSEMBLY	1
E1	MEC2002771	LEFT ARMREST ASSEMBLY	1
F1	SCRSETS1104	SCREW,SET,M8-1.25 X 8MM,CUP POINT W/NYLON PATCH	1
G1	DGN2002738	FULL ARMPAD ASSEMBLY	1
H1 - H5	MEC1800114	SEAT FRAME,ASSY,PLATFORM,MOLDED PLASTIC SEAT, SLIDERS	1
H1	DWR9998C016	LEVER,SEAT RELEASE,ZINC PLATED,REVO,C-9998-016	1
H2	PROHDL1007	HANDLE,COVER,SEAT LOCK, SC150	1
H3	SPGRAW1010	SPRING, RAW,LEVER LOCKING SC150	1
H4	PINCOTD1000	PIN, COTTERLESS DETENT W/ RING, .25 DIA X 1.5 GRIP LG (DWG B1005-168)	2
H5	DWR1000B152	HANDLE,LOCK KNOB,B-1000-152	2
I1	FRMASMB11451	SEAT,ASSY,LIMITED SLIDE MECHANISM,W/LEFT SIDE HANDLE,SC610/SC710	1
J1	PINCOTD1006	PIN,COTTERLESS DETENT W/RING,.375" DIA X 2.00" GRIP LENGTH,B-1005-169	1

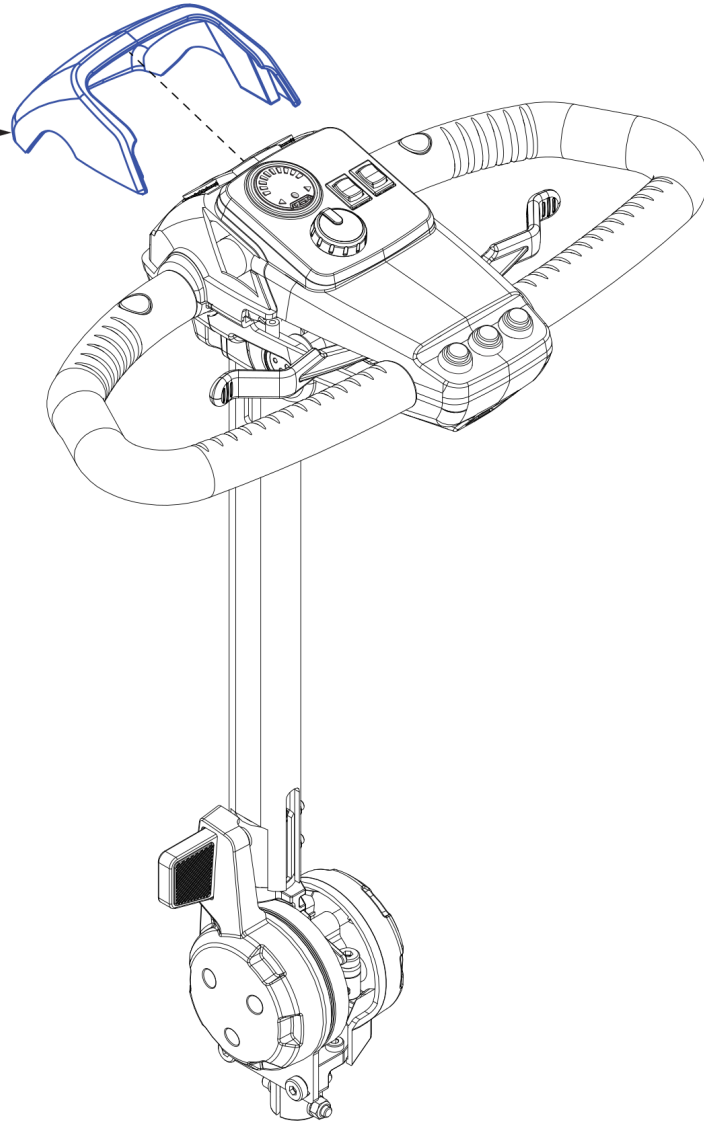
## Console Shroud Insert

When applicable, assemblies are grouped by color. All components with that color are included in the assembly.

(A1a)	Tiller Cover Assy. Tan
(A1b)	Tiller Cover Assy. Green
(A1c)	Tiller Cover Assy. Woodland Camo



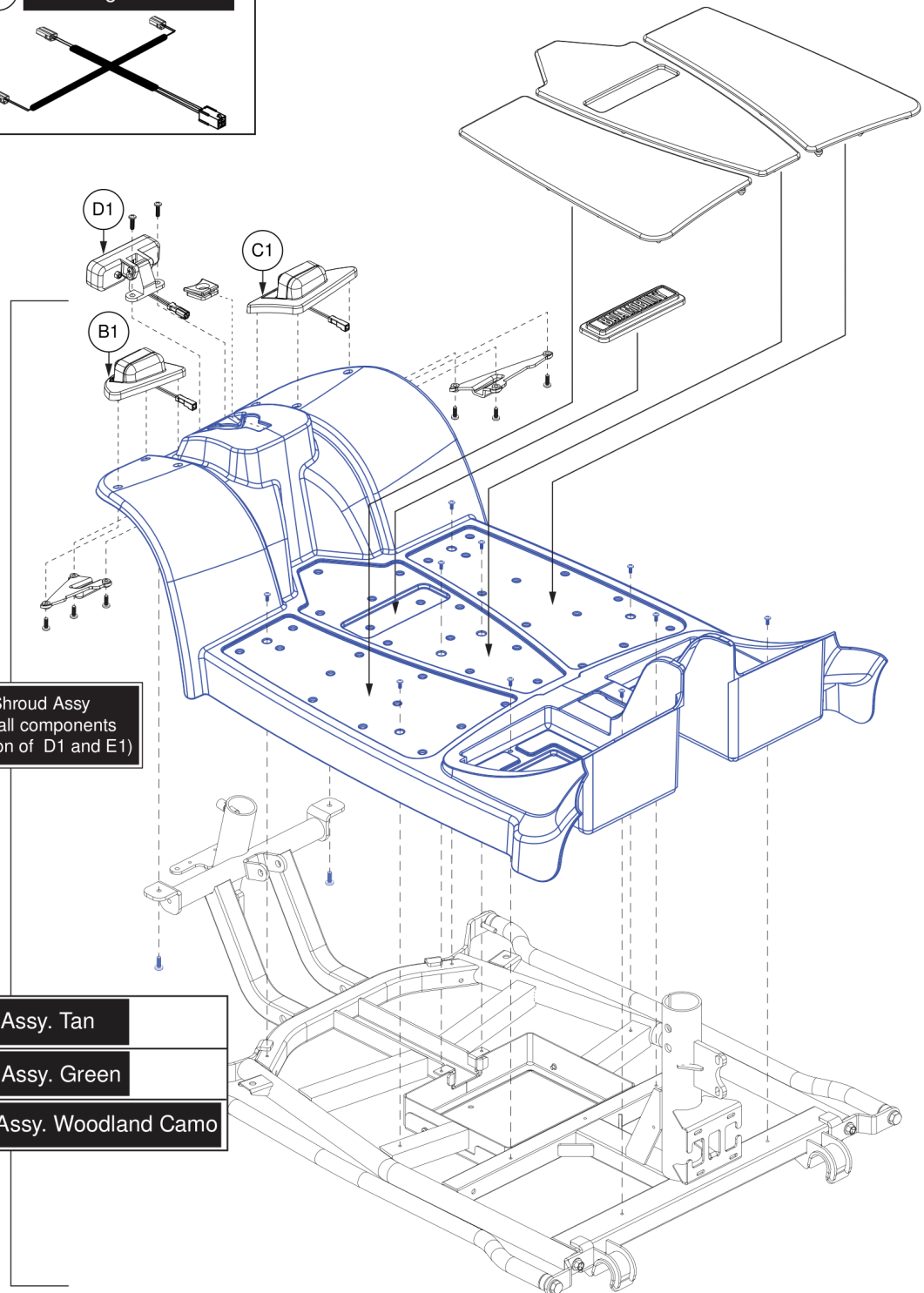
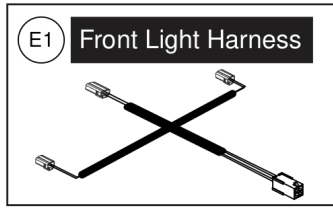
B1 included with shroud inserts.



## Console Shroud Insert

Objekt	Teilenr.	Name	Anzahl
A1a	DGN2203951	TILLER COVER ASSY,TAN,BA140	1
A1b	DGN2207339	TILLER COVER ASSY,GRN,BA140	1
A1c	DGN2400046	TILLER COVER ASSY,WOODLANDS CAMO,BA140	1
B1	DGN2201759	BADGE, BAJA MOUNTAIN	1

# Front Shroud Assy



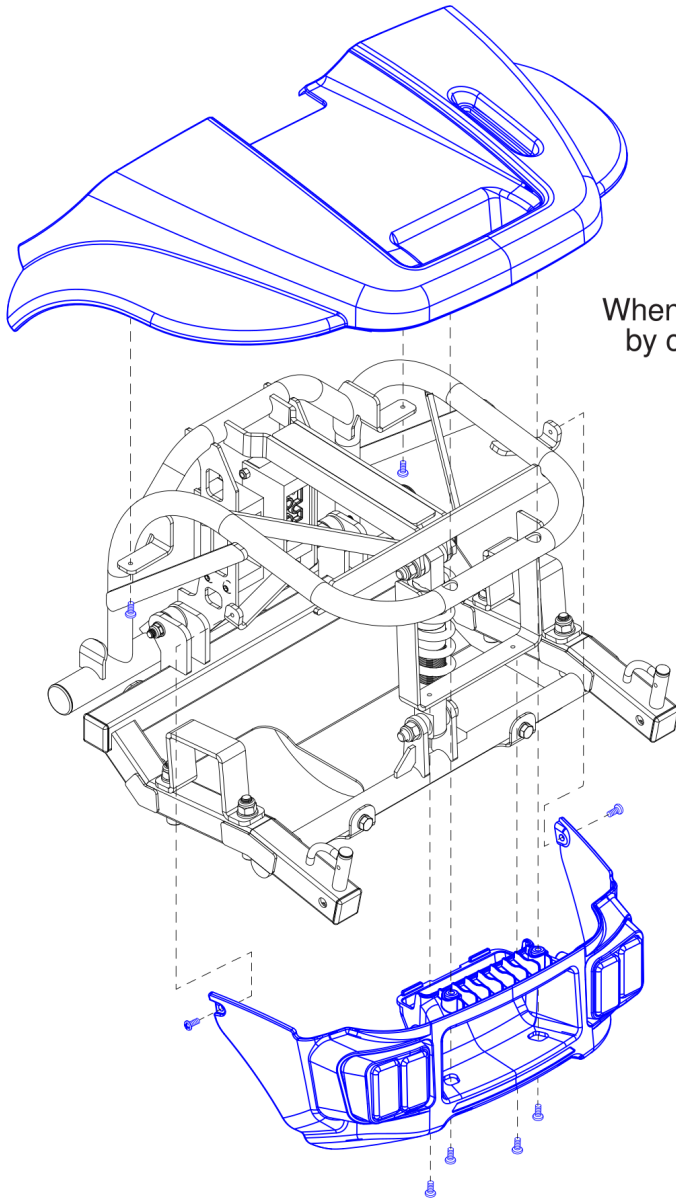
- A1a** Front Shroud Assy. Tan
- A1b** Front Shroud Assy. Green
- A1c** Front Shroud Assy. Woodland Camo

When applicable, assemblies are grouped by color. All components with that color are included in the assembly.

## Front Shroud Assy

Objekt	Teilenr.	Name	Anzahl
A1a	DGN2203902	SHROUD.ASSY,FRONT,4-WHEEL, TAN,BA140	1
A1b	DGN2207331	SHROUD.ASSY,FRONT,4-WHEEL,GRN,BA140	1
A1c	DGN2400042	SHROUD,ASSY,FRONT,4-WHEEL, WOODLANDS CAMO,BA140	1
B1	DGN2203073	INDICATOR, DECK MOUNT, ASSEM, LEFT	1
C1	DGN2203074	INDICATOR, DECK MOUNT, ASSEM, RIGHT	1
D1	DGN2203119	HEADLIGHT ASSEMBLY	1
E1	ELE2201822	FRONT LIGHT HARNESS	1

## Rear Shroud and Light Assy



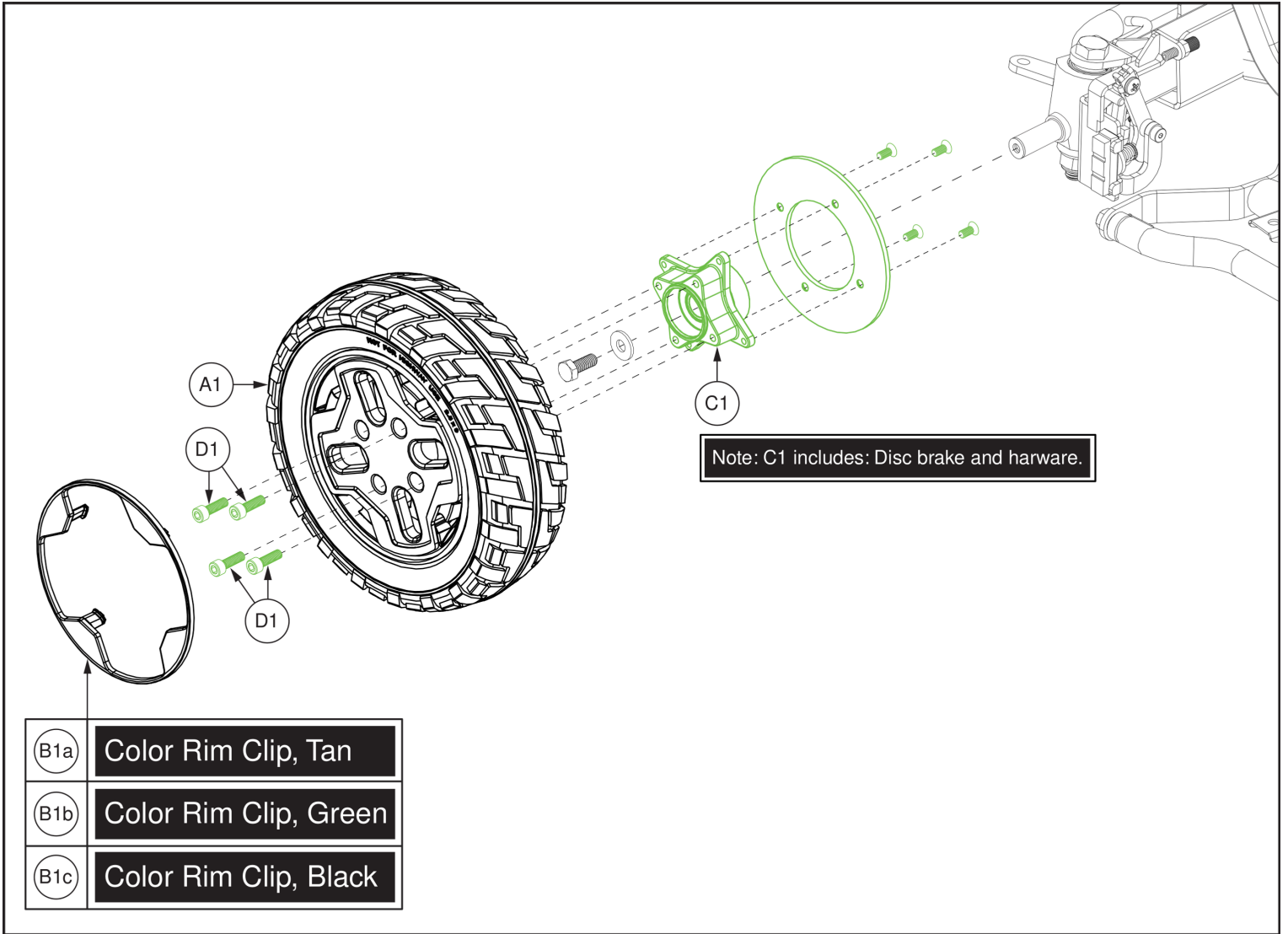
When applicable, assemblies are grouped by color. All components with that color are included in the assembly.

A1a	Rear Shroud Assy. Tan
A1b	Rear Shroud Assy. Green
A1c	Rear Shroud Assy. Woodland Camo

Rear Shroud Assy  
(Includes all components.)

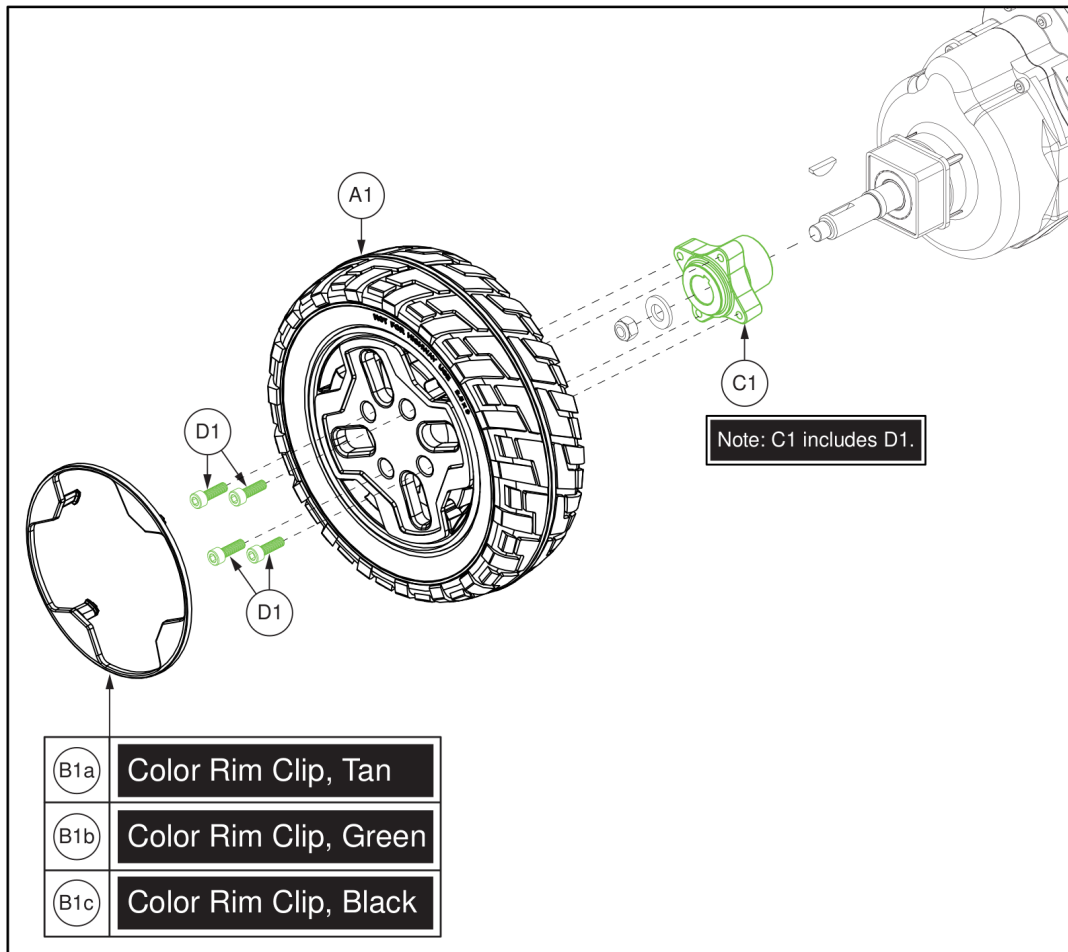
## Rear Shroud and Light Assy

Objekt	Teilenr.	Name	Anzahl
A1a	DGN2203904	SHROUD ASSY, REAR,TAN,BA140	1
A1b	DGN2207336	SHROUD ASSY, REAR,GRN,BA140	1
A1c	DGN2400044	SHROUD ASSY, REAR,WOODLANDS CAMO,BA140	1



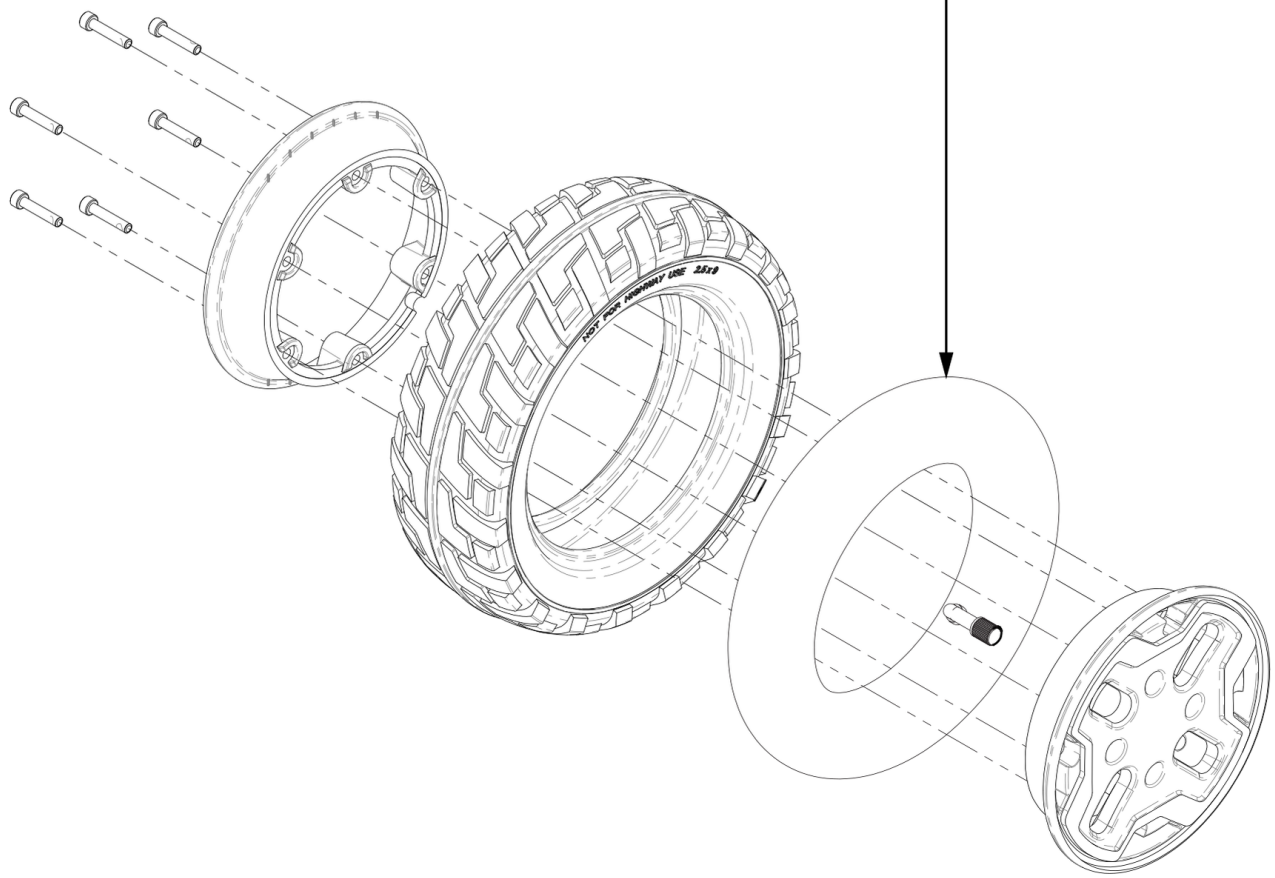
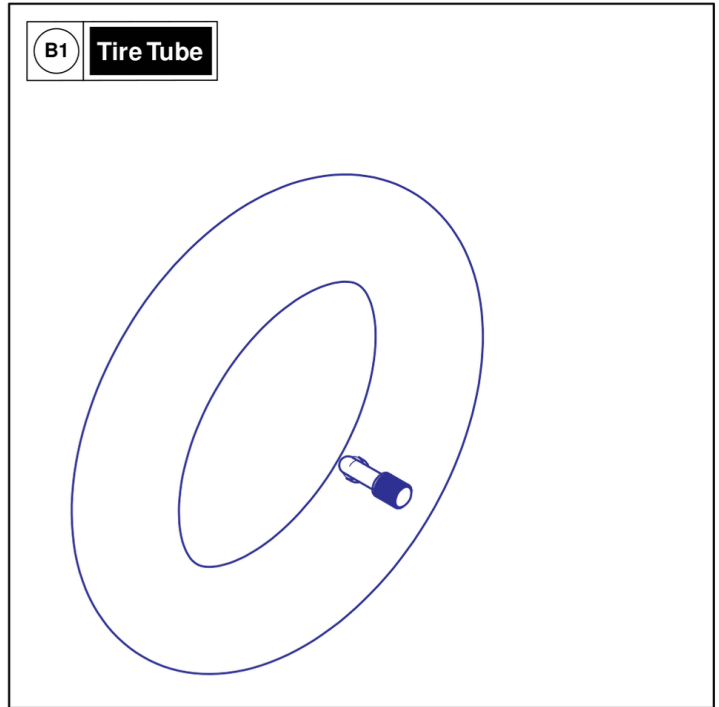
## Front Wheel Assy. Solid

Objekt	Teilenr.	Name	Anzahl
A1	DGN2206238	WHEEL, ASSEMBLY, SOLID TIRE	1
B1a	DGN2206236-7504C	COLOR CLIP, RIM, TAN, BA140	1
B1b	DGN2206236-5487C	COLOR CLIP, RIM, GRN, BA140	1
B1c	DGN2206236-TBK1	COLOR CLIP, RIM, PCT-BLK-01, BA140	1
C1	MEC2206345	FRONT WHEEL HUB ASSEMBLY	1
D1	HDW2301451	SCREW, SOCKET HEAD, M6X1.0 X 20, ISO 4762, CL 12.9, BLK, PVTP	4



## Rear Wheel Assy. Solid

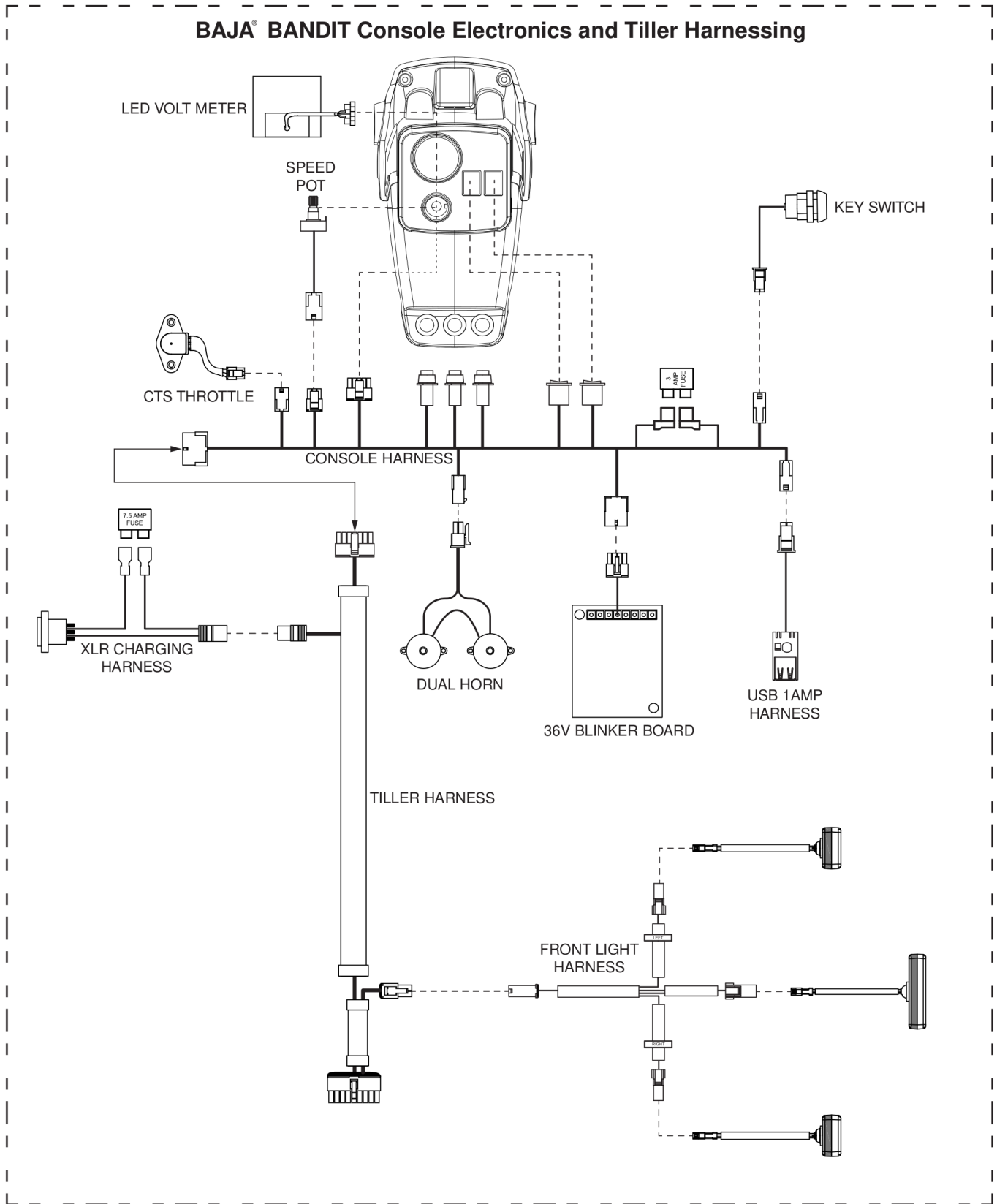
Objekt	Teilenr.	Name	Anzahl
A1	DGN2206238	WHEEL, ASSEMBLY, SOLID TIRE	1
B1a	DGN2206236-7504C	COLOR CLIP, RIM, TAN, BA140	1
B1b	DGN2206236-5487C	COLOR CLIP, RIM, GRN, BA140	1
B1c	DGN2206236-TBK1	COLOR CLIP, RIM, PCT-BLK-01, BA140	1
C1	MEC2206998	REAR WHEEL HUB WITH HARDWARE	1
D1	HDW2301451	SCREW, SOCKET HEAD, M6X1.0 X 20, ISO 4762, CL 12.9, BLK, PVTP	4



## Pneumatic Wheel

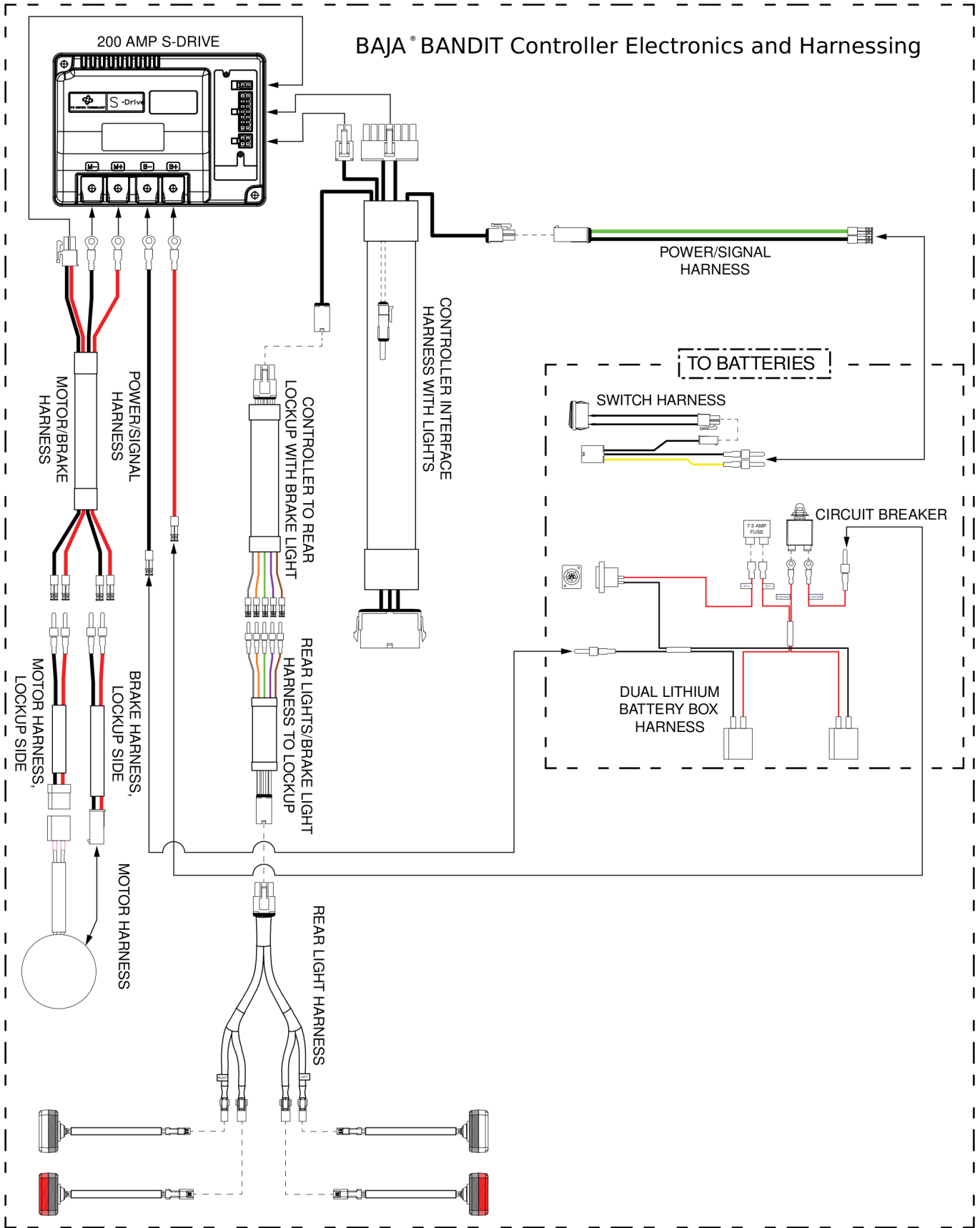
---

Objekt	Teilenr.	Name	Anzahl
A1	DGN2206824	WHEEL, ASSEMBLY, PNEUMATIC	1
B1	DGN2301496	TIRE TUBE, 2.5X9, 90 DEGREE VALVE STEM	1



Diese Seite absichtlich leer gelassen

# Controller, S-Drive 200AMP, Electrical System Diagram



---

Anhang A:Seitenverzeichnis

Battery Box Assy . . . . .	1
Console Assy . . . . .	5
Console Shroud Insert . . . . .	29
Console, BAJA Bandit, BA140, Electrical System Diagram . . . . .	41
Controller Assy. . . . .	7
Controller, S-Drive 200AMP, Electrical System Diagram . . . . .	42
Decal Package, BA140, AU . . . . .	9
Front Frame Assy . . . . .	17
Front Shroud Assy . . . . .	31
Front Wheel Assy. Solid . . . . .	35
Hand Brake Assy . . . . .	15
Motor Assy . . . . .	11
Off-Board Charger, BA140, Lithium, EU . . . . .	3
Owner's Package, BA140, EU . . . . .	21
Pneumatic Wheel . . . . .	39
Rear Frame Assy . . . . .	19
Rear Shroud and Light Assy . . . . .	33
Rear Wheel Assy. Solid . . . . .	37
Seat Assy, 18"W x 17"D Black Vinyl, Molded Plastic, BAJA Bandit . . . . .	23
Seat Assy, Deluxe Stadium, Foldable w/Sliders 20"W . . . . .	27
Seat Assy, Molded Plastic, 20"x18" w/Pride Logo, BAJA Bandit . . . . .	25
Tiller Assy . . . . .	13

Anhang B:Teileverzeichnis

ACC1706036	14	ELE1706049	6
ARM145482	26	ELE1903688	8
ARM145483	26	ELE2001160	8
ARM145484	26	ELE2005451	6
BAT2204148	2	ELE2201186	6
BAT2204149	2	ELE2201822	32
BAT2204150	2	ELE2202025	6
BAT2204152	2	ELE2202816	6
CTL2203907	8	ELE2203209	8
CUS1707693	26	ELE2203337	8
DGN134725	6	ELE2203973	8
DGN142447	6	ELE2204648	6
DGN1701463	8	ELE2205562	8
DGN2002738	24, 28	ELE2205563	8
DGN2201759	30	ELE2205613	4
DGN2202748	6	ELE2205629	8
DGN2202749	6	ELE2205708	4
DGN2203073	32	ELE2205947	20
DGN2203074	32	ELE2206029	8
DGN2203119	32	ELE2206030	8
DGN2203167	6	ELE2206324	6
DGN2203297	14	ELE2206326	2, 6
DGN2203301	14	ELE2206520	2
DGN2203902	32	ELE2206526	2
DGN2203904	34	ELE2302623	20
DGN2203949	6	FRMASMB11066	18
DGN2203951	30	FRMASMB11451	24, 28
DGN2206236-5487C	36, 38	FRMASMB9240	18
DGN2206236-7504C	36, 38	HDW147128	26
DGN2206236-TBK1	36, 38	HDW2301451	36, 38
DGN2206238	36, 38	HDWASMB1000	18
DGN2206824	40	INFINFB3082	22
DGN2207042	6	INFINFB4556	22
DGN2207043	6	INFMANU3989	22
DGN2207331	32	KEYSCO1007	22
DGN2207336	34	LAB120015	10
DGN2207339	30	LAB1713260	10
DGN2301496	40	LAB1805101	10
DGN2400042	32	LAB2206170	10
DGN2400044	34	MEC152057	26
DGN2400046	30	MEC155692	26
DWR1000B152	24, 26, 28	MEC1703610	20
DWR1020C034	22	MEC1800114	24, 28
DWR1020H161	6	MEC2002758	24, 28
DWR1234L108	10	MEC2002771	24, 28
DWR1234L811	10	MEC2107612	18
DWR1235L798	10	MEC2202224	12
DWR9998C016	24, 28	MEC2202724	18
ELE1703334	6	MEC2202744	18
		MEC2202758	18

---

MEC2202787	20
MEC2202800	18
MEC2202804	18
MEC2202806	14
MEC2203314	18
MEC2203422	18
MEC2203516	20
MEC2203863	14
MEC2204144	18
MEC2204153	20
MEC2204161	18
MEC2204165	20
MEC2205185	18
MEC2205730	2
MEC2206345	36
MEC2206612	2
MEC2206976	16
MEC2206998	38
MEC2300046	28
MEC2300047	28
MOT2204052	12
MOT2204053	12
PINCOTD1000	24, 26, 28
PINCOTD1006	22, 24, 28
PROHDL1007	24, 26, 28
SCRSETS1104	24, 26, 28
SET1707677	26
SET1909617	26
SET2002307	24
SET2003048	24
SET2003049	24
SET2300048	28
SPGRAW1010	24, 26, 28

# Illustrated Parts Breakdown

## **USA - Quantum Rehab**

401 York Avenue  
Duryea, PA 18642  
[www.quantumrehab.com](http://www.quantumrehab.com)

## **USA - Pride Mobility Products, Corp.**

401 York Avenue  
Duryea, PA 18642  
[www.pridemobility.com](http://www.pridemobility.com)

## **Canada**

5096 South Service Road  
Beamsville, Ontario L3J 1V4  
[www.pridemobility.ca](http://www.pridemobility.ca)  
[www.quantumrehab.ca](http://www.quantumrehab.ca)

## **Australia**

20-24 Apollo Drive  
Hallam, Victoria 3803  
[www.pridemobility.com.au](http://www.pridemobility.com.au)  
[www.quantumrehab.com.au](http://www.quantumrehab.com.au)

## **New Zealand**

391 Neilson Street  
Penrose, Auckland 1061  
[www.pridemobility.co.nz](http://www.pridemobility.co.nz)

## **UK**

### **(Authorised UK Representative)**

32 Wedgwood Road  
Bicester, Oxfordshire OX26 4UL  
[www.pride-mobility.co.uk](http://www.pride-mobility.co.uk)  
[www.quantumrehab.co.uk](http://www.quantumrehab.co.uk)

## **Switzerland**

### **(Authorised CH Representative)**

SODIMED SA  
Chermin Praz Devant 12  
1032 Romanel-sur-Lausanne

## **Netherlands**

### **(Authorised EU Representative)**

De Zwaan 3  
1601 MS Enkhuizen  
[www.pridemobility.eu](http://www.pridemobility.eu)  
[www.quantumrehab.eu](http://www.quantumrehab.eu)

## **Italy**

Via del Progresso, ang. Via del Lavoro  
Loc. Prato della Corte  
00065 Fiano Romano (RM)  
[www.pride-italia.it](http://www.pride-italia.it)  
[www.quantumrehab-italia.it](http://www.quantumrehab-italia.it)

## **France**

26 Rue Monseigneur Ancel  
69800 Saint-Priest  
[www.pridemobility.fr](http://www.pridemobility.fr)  
[www.quantumrehab.fr](http://www.quantumrehab.fr)

## **Spain**

Calle Las Minas Número 67  
Polígono Industrial Urtinsa II, de Alcorcón  
28923 Madrid  
[www.pridemobility.es](http://www.pridemobility.es)

## **Germany**

Josef-Förster-Straße 6-8  
33161 Hövelhof  
[www.pridemobility.de](http://www.pridemobility.de)  
[www.quantumrehab.de](http://www.quantumrehab.de)

## **China**

Room #08, Building #4  
TianNa Business Zone  
No. 500 Jianyun Road  
Pudong New Area  
Shanghai 201318  
[www.pridechina.cn](http://www.pridechina.cn)

